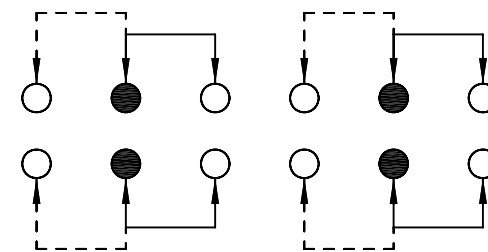
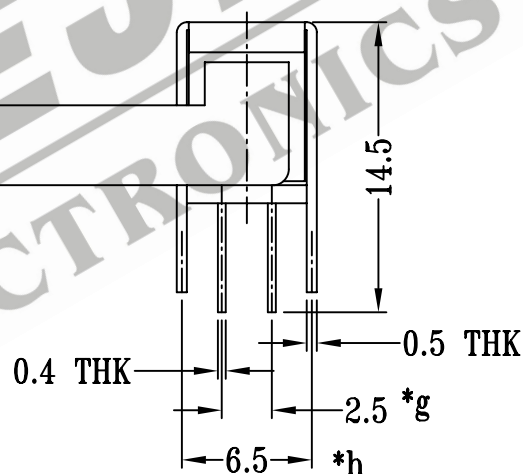
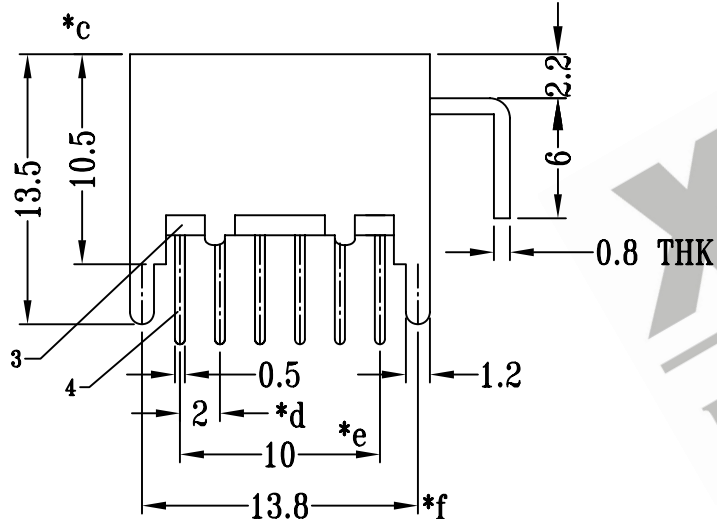
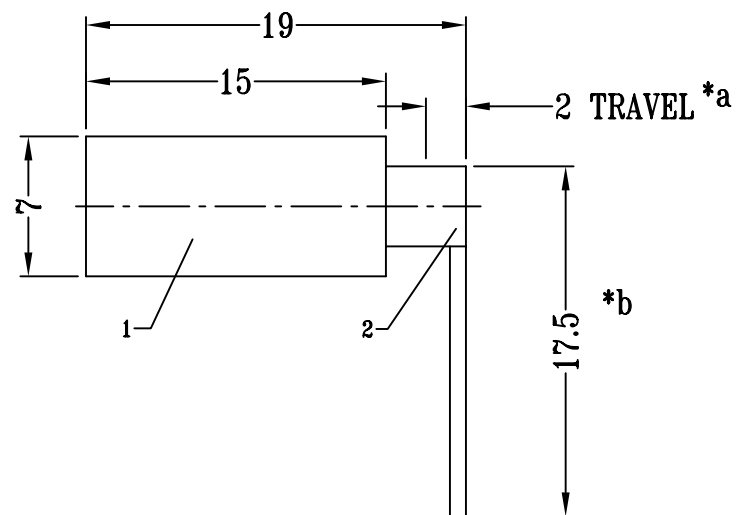
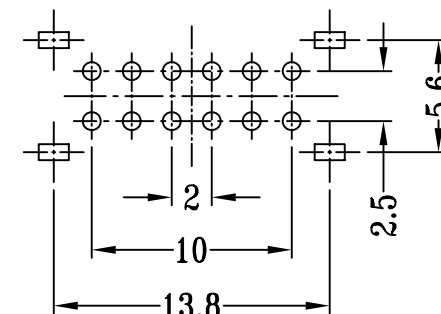


CAD FILE:



SCHEMATIC (NON-SHORTING)



P.C.B LAYOUT

注：“*”表示关键尺寸（8个）

8					TOLERANCE	SHENZHEN XIEJIA ELECTRONICS CO.,LTD.			
7	CONTACT CLIP	PBS	4	Ag CLAD	UNLESS SPECIFIED				
6	SPRING	STEEL WIRE	1	TEMPER	WITHIN: 1.5±0.1mm				
5	SLIDER	POM	4	BLACK	OVER : 1.5±0.2mm	ISSUE	DATE	DESCRIPTIONS	
4	TERMINAL	BRASS STRIP	12	Ag PLATED OVER Ni PLATED	TITLE : PUSH SWITCH	UNIT : MM		DRWG NO.: XJ-DR-PS42D24-00	
3	BASE	PHENOLIC RESIN	1	NATURAL	MODEL: PS-42D24	SCALE: 5:2		DWN.	ZHOUYU
2	KNOB	STEEL STRIP	1	Ni PLATED				2003-7-5	
1	FRAME	STEEL STRIP	1	Ni PLATED				CHK'D	FANGYING
					ALL MATERIALS MUST BE COMPLIANT TO ROHS			2003-7-5	
NO.	PART NAME	MATERIAL	Q'TY	FINISHING		APPD.	KANGXINAN	2003-7-5	